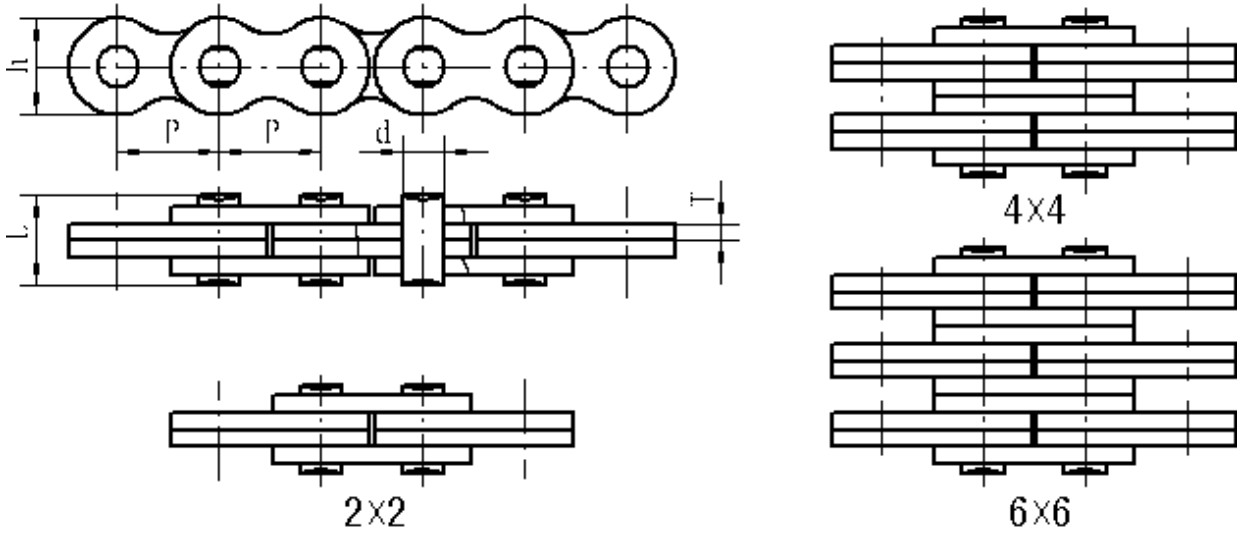




HENGJIU

Transmit Safety & Reliability

LL Series Leaf Chains



DIN/ISO Chain No.	P mm	Plate lacing					Q _{min} kN	Q ₀ kN	q kg/m
			T mm	h mm	d mm	L mm			
LL0822	12.7	2*2	1.3	10.9	4.45	7.6	17.8	20.7	0.4
LL0844		4*4				13.1	31.1	36.3	0.7
LL0866		6*6				18.4	44.5	51.6	1.04
LL1022	15.875	2*2	1.65	13.6	5.08	9.4	22.2	25.8	0.57
LL1044		4*4				16.2	44.5	52.9	1.10
LL1066		6*6				22.9	66.7	76.3	1.64
LL1222	19.05	2*2	1.8	16	5.72	10.1	28.9	33.8	0.72
LL1244		4*4				17.4	57.8	66.8	1.40
LL1266		6*6				25.1	86.7	100.2	2.08
LL1622	25.4	2*2	3.2	21	8.28	17	58	66.1	1.65
LL1644		4*4				29.4	116	129.8	3.25
LL1666		6*6				42.4	174	197.8	4.84
LL2022	31.75	2*2	3.6	26	10.19	18.7	95	108.9	2.30
LL2044		4*4				33.2	190	219.0	4.50
LL2066		6*6				47.8	285	325.0	6.71
LL2422	38.1	2*2	5	33	14.63	25.4	170	194.7	4.20
LL2444		4*4				45.6	340	380.2	8.21
LL2466		6*6				65.6	510	569.8	12.22
LL2822	44.45	2*2	6.4	36.7	15.9	32.4	200	224	5.9
LL2844		4*4				58.2	400	448	11.6
LL2866		6*6				84	600	672	17.3
LL3222	50.8	2*2	6.4	41.9	17.81	33.4	260	291.3	6.76
LL3244		4*4				59.2	520	582.9	13.22
LL3266		6*6				85	780	874.0	19.68

Q_{min} kN = Ultimate tensile strength

Q₀ kN = Average tensile strength